

Motus S

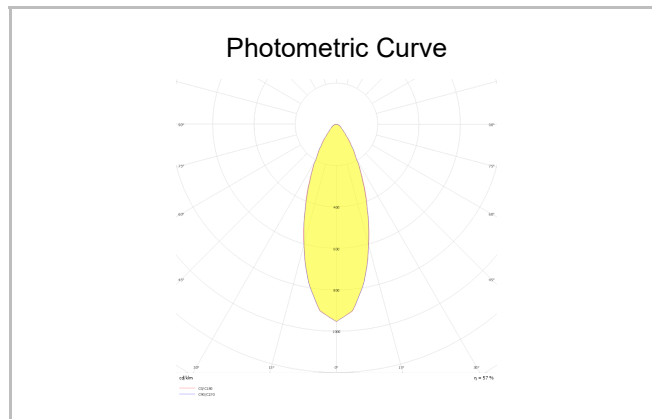
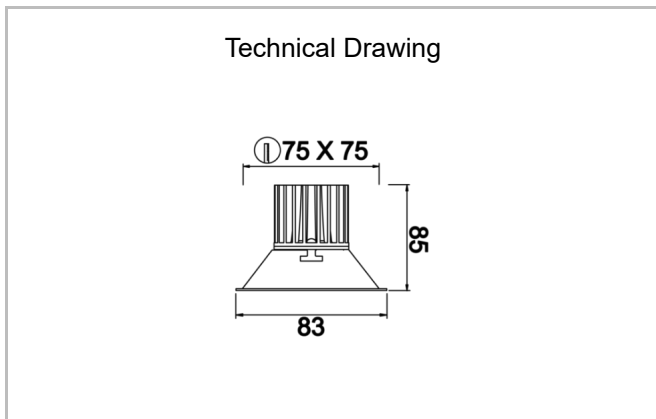
MTS 008 008 009A 8040 10 30 SD 20 00



Recessed Downlight & Spot Luminary



| | |
|--------------------------------------|--|
| Luminaire Group | Downlight & Spot |
| Mounting Type | Recessed |
| Luminaire Color | RAL 9005 - RAL 9016 - RAL 9006 |
| Housing | Aluminum Injection |
| Optics | 15° 30° 40° Reflector & Opal Diffuser |
| Light Source | LED |
| Electrical Protection Class | CLASS II |
| IP | 20 |
| IK | 02 |
| Operating Temperature | -20°C / +40°C |
| Luminous Flux | 810 |
| Consumption Power | 9 |
| Luminaire Efficiency | 90 lm/W |
| Color Rendering (CRI) | >80 |
| Light Color Temperature (CCT) | 2700K/3000K/4000K/6500K |
| Color Tolerance | < 3 SDCM |
| Driver Type | On/Off |
| Driver Brand | Tridonic |
| LED Brand | Samsung |
| Input Voltage / Frequency | 220-240 V AC 50/60 Hz |
| Power Factor | >0.9 |
| Surge | 1kV |
| THD (AKIM) | >%20 |
| LED life | >70.000 hours |
| Option | On-Off / Dali / 1-10V / With Emergency Kit |



| SKU | Product Code | Power (W) | Luminous Flux (LM) | CRI | CCT (K) | Optics | Dimensions (mm) |
|----------|--------------------------------------|-----------|--------------------|-----|---------|---------------|-----------------|
| 13502529 | MTS 008 008 009A 8040 10 30 SD 20 00 | 9 | 810 | >80 | 4000 | 30° Reflector | 83x83xx85 |