

Conico

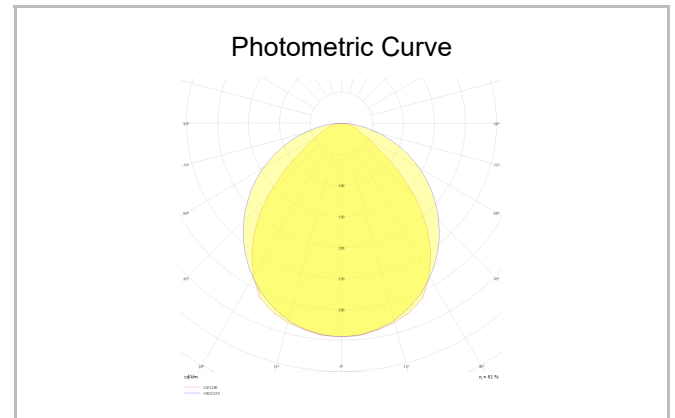
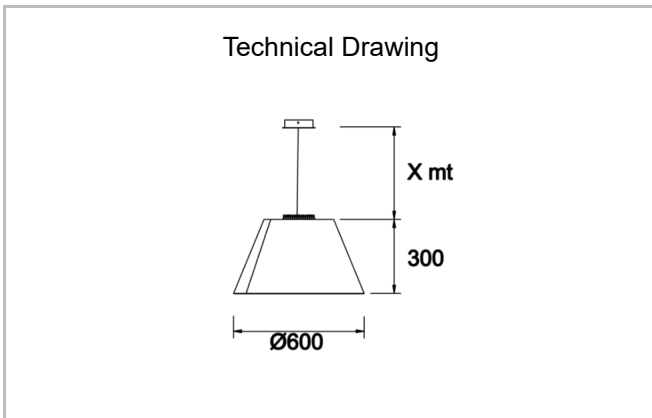
Con 060 030 024A 8040 10 99 OP 20 00



Pendant Acoustic Solutions Luminary



Luminaire Group	Acoustic Solutions
Mounting Type	Pendant
Housing	Acoustic Panel
Optics	Opal Diffuser
Light Source	LED
Electrical Protection Class	CLASS II
IP	20
IK	02
Operating Temperature	-20°C / +40°C
Luminous Flux	2856
Consumption Power	24
Luminaire Efficiency	125 lm/W
Color Rendering (CRI)	>80
Light Color Temperature (CCT)	2700K/3000K/4000K/6500K
Color Tolerance	< 3 SDCM
Driver Type	On/Off
Driver Brand	Tridonic
LED Brand	Samsung
Input Voltage / Frequency	220-240 V AC 50/60 Hz
Power Factor	>0.9
Surge	1kV
THD (AKIM)	>%20
LED life	>70.000 hours
Option	On-Off / Dali / 1-10V / With Emergency Kit



SKU	Product Code	Power (W)	Luminous Flux (LM)	CRI	CCT (K)	Optics	Dimensions (mm)
	Con 060 030 024A 8040 10 99 OP 20 00	24	2856	>80	4000	120° Opal Diffuser	Ø600x300

www.atellighting.com