

Oculus S & M

OCU 013 010 006Z 8030 10 90 LN 65 00

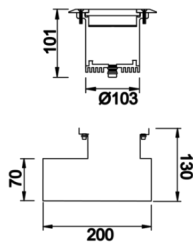


In-Floor Recessed Facade & Landscape Luminaire



Luminaire Group	Facade & Landscape
Mounting Type	In-Floor Recessed
Luminaire Color	RAL 9005 - RAL 9006 - RAL 9010
Housing	Aluminum Body Stainless Steel Frame Tempered Glass
Optics	15° 40° 90° Lens
Light Source	LED
Electrical Protection Class	CLASS II
IP	65
IK	09
Operating Temperature	-20°C / +40°C
Luminous Flux	720
Consumption Power	6
Luminaire Efficiency	120 lm/W
Color Rendering (CRI)	>80
Light Color Temperature (CCT)	2700K/3000K/4000K/6500K
Color Tolerance	< 3 SDCM
Driver Type	On/Off
Driver Brand	Tridonic
LED Brand	Samsung
Input Voltage / Frequency	220-240 V AC 50/60 Hz
Power Factor	>0.9
Surge	1kV
THD (AKIM)	>%20
LED life	>70.000 hours
Option	On-Off / Dali / 1-10V / With Emergency Kit

Technical Drawing

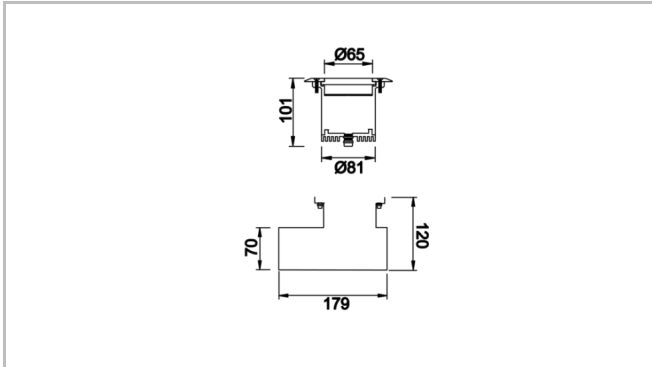


Oculus S & M

OCU 013 010 006Z 8030 10 90 LN 65 00



In-Floor Recessed Facade & Landscape Luminary



SKU	Product Code	Power (W)	Luminous Flux (LM)	CRI	CCT (K)	Optics	Dimensions (mm)
	OCU 013 010 006Z 8030 10 90 LN 65 00	6	720	>80	4000	90° Lens	Ø119