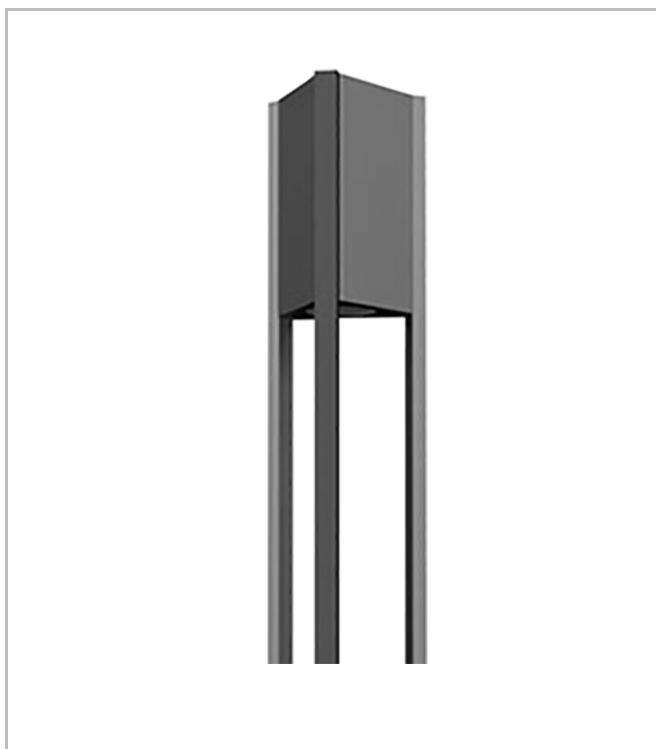


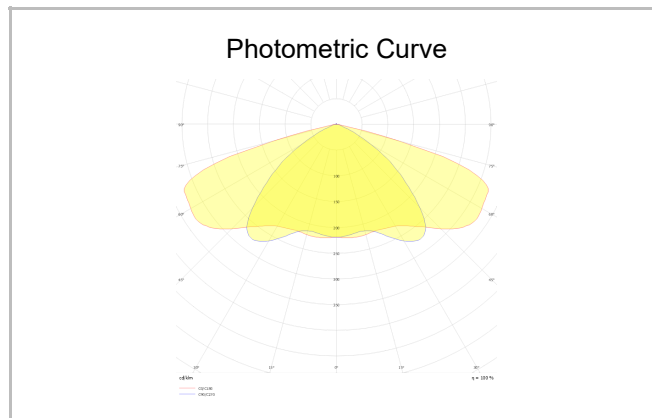
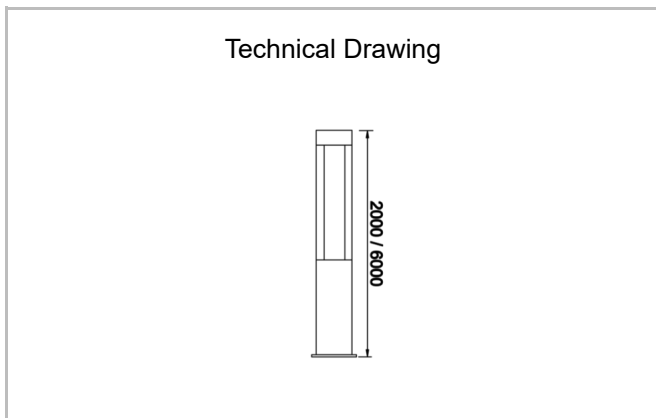
Trio

TRİ 2000 2000 030M 8040 10 30 AS 66 00

Concrete Park & Garden Luminaire



Luminaire Group	Park & Garden
Mounting Type	Concrete
Luminaire Color	RAL 9006 - RAL 9005 - RAL 9010
Housing	Aluminum Extrusion
Optics	Reflector
Light Source	LED
Electrical Protection Class	CLASS II
IP	66
IK	08
Operating Temperature	-20°C / +40°C
Luminous Flux	4200
Consumption Power	30
Luminaire Efficiency	140 lm/W
Color Rendering (CRI)	>80
Light Color Temperature (CCT)	2700K/3000K/4000K/6500K
Color Tolerance	< 3 SDCM
Driver Type	On/Off
Driver Brand	Tridonic
LED Brand	Samsung
Input Voltage / Frequency	220-240 V AC 50/60 Hz
Power Factor	>0.9
Surge	1kV
THD (AKIM)	>%20
LED life	>70.000 hours
Option	On-Off / Dali / 1-10V



SKU	Product Code	Power (W)	Luminous Flux (LM)	CRI	CCT (K)	Optics	Dimensions (mm)
	TRİ 2000 2000 030M 8040 10 30 AS 66 00	30	4200	>80	4000	AS° Reflector	2000