

Luma PC

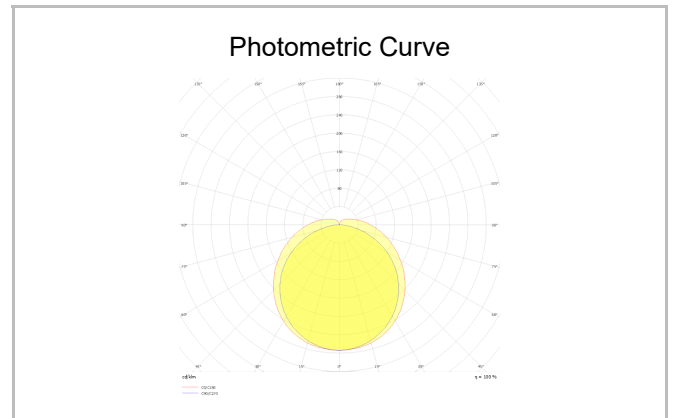
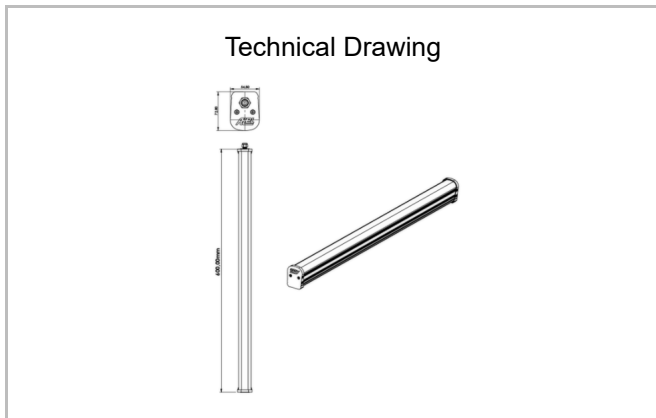
LMP 007 060 016S 8040 10 99 OP 65 00



Surface Mounted Industrial Luminaire



Luminaire Group	Industrial
Mounting Type	Surface Mounted
Housing	Gray Polycarbonate
Optics	Opal Polycarbonate
Light Source	LED
Electrical Protection Class	CLASS II
IP	65
IK	09
Operating Temperature	-20°C / +40°C
Luminous Flux	1920
Consumption Power	16
Luminaire Efficiency	123 lm/W
Color Rendering (CRI)	>80
Light Color Temperature (CCT)	2700K / 3000K / 4000K / 6500K
Color Tolerance	< 3 SDCM
Driver Type	On/Off
Driver Brand	Tridonic
LED Brand	Samsung
Input Voltage / Frequency	220-240 V AC 50/60 Hz
Power Factor	>0.9
Surge	1kV
THD (AKIM)	>%20
LED life	70.000 hours
Option	On-Off / Dali / 1-10V / With Emergency Kit



SKU	Product Code	Power (W)	Luminous Flux (LM)	CRI	CCT (K)	Optics	Dimensions (mm)
	LMP 007 060 016S 8040 10 99 OP 65 00	16	1920	>80	4000	120° Polycarbonate	55x72x600

www.atellighting.com