

# Roadster-M (1)

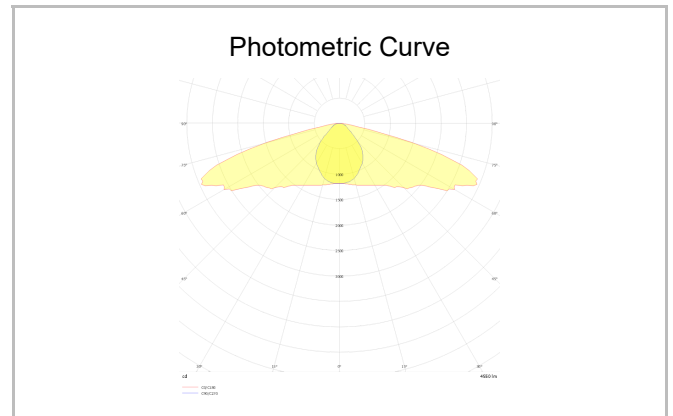
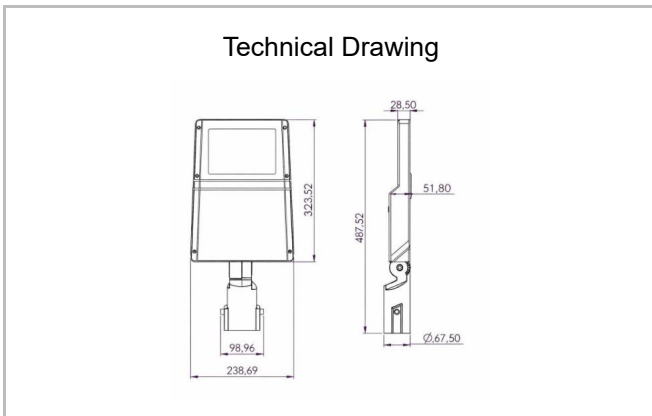
ROA 030 065 200M 8040 10 SM CM 66 00



Road Lighting & Floodlight Luminaire



|                                      |  |
|--------------------------------------|--|
| <b>Luminaire Group</b>               | Road Lighting & Floodlight                           |
| <b>Luminary Color</b>                | RAL 9005   |
| <b>Housing</b>                       | Aluminum Injection                                   |
| <b>Optics</b>                        | Symmetrical / Asymmetrical°<br>Lens & Tempered Glass |
| <b>Light Source</b>                  | LED  |
| <b>Electrical Protection Class</b>   | CLASS II   |
| <b>IP</b>                            | 66   |
| <b>IK</b>                            | 08   |
| <b>Operating Temperature</b>         | -40°C / +40°C  |
| <b>Luminous Flux</b>                 | 25500  |
| <b>Consumption Power</b>             | 200  |
| <b>Luminaire Efficiency</b>          | 125 lm/W   |
| <b>Color Rendering (CRI)</b>         | >70  |
| <b>Light Color Temperature (CCT)</b> | 3000K/4000K/6500K                                    |
| <b>Color Tolerance</b>               | < 3 SDCM   |
| <b>Driver Type</b>                   | On/Off   |
| <b>Input Voltage / Frequency</b>     | 220-240 V AC 50/60 Hz                                |
| <b>Power Factor</b>                  | >0.9   |
| <b>Surge</b>                         | 1kV  |
| <b>THD (AKIM)</b>                    | >%20   |
| <b>LED life</b>                      | >100.000 hours                                       |



| SKU | Product Code                         | Power (W) | Luminous Flux (LM) | CRI | CCT (K) | Optics          | Dimensions (mm) |
|-----|--------------------------------------|-----------|--------------------|-----|---------|-----------------|-----------------|
|     | ROA 030 065 200M 8040 10 SM CM 66 00 | 200       | 25500              | >70 | 4000    | Asymmetric Lens | 305x653x76      |

[www.atellighting.com](http://www.atellighting.com)