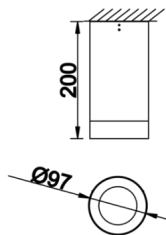


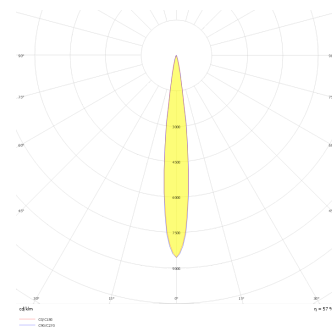


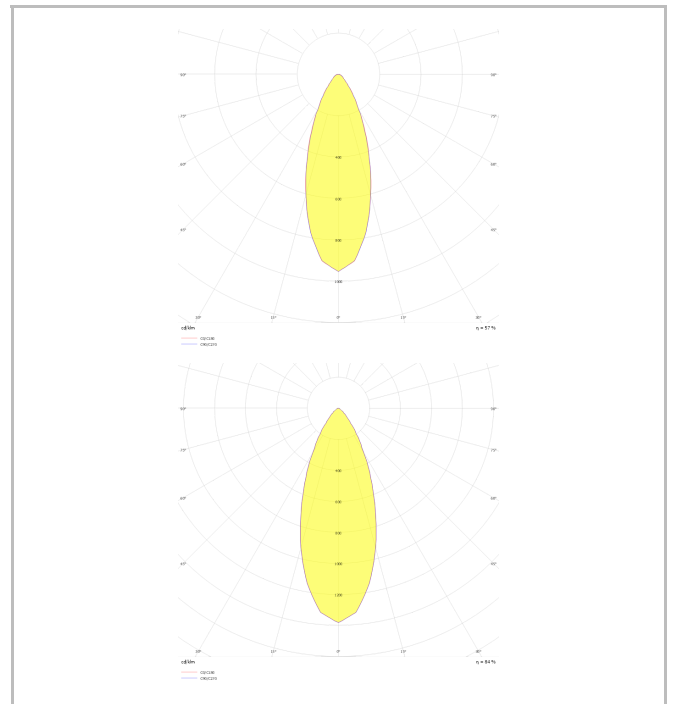
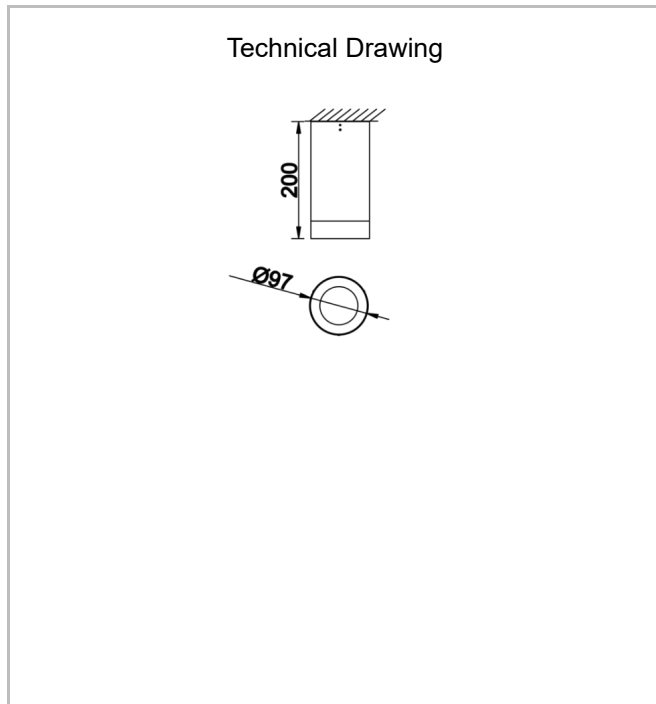
<b>Luminaire Group</b>	Surface Mounted
<b>Mounting Type</b>	Surface Mounted
<b>Luminaire Color</b>	RAL 9006 - RAL 9005 - RAL 9010 - RAL 9016
<b>Housing</b>	Aluminum Extrusion
<b>Optics</b>	15° 30° 40° Reflector & Transparent Diffuser
<b>Light Source</b>	LED
<b>Electrical Protection Class</b>	CLASS II
<b>IP</b>	65
<b>IK</b>	03
<b>Operating Temperature</b>	-20°C / +40°C
<b>Luminous Flux</b>	1183 lm / 1638 lm / 819 lm
<b>Consumption Power</b>	13 W / 18 W / 9 W
<b>Luminaire Efficiency</b>	91 lm/W
<b>Color Rendering (CRI)</b>	>80
<b>Light Color Temperature (CCT)</b>	2700K/3000K/4000K/6500K
<b>Color Tolerance</b>	< 3 SDCM
<b>Driver Type</b>	On/Off
<b>Driver Brand</b>	Tridonic
<b>LED Brand</b>	Samsung
<b>Input Voltage / Frequency</b>	220-240 V AC 50/60 Hz
<b>Power Factor</b>	>0.9
<b>Surge</b>	1kV
<b>THD (AKIM)</b>	>%20
<b>LED life</b>	>100.000 hours
<b>Option</b>	On-Off / Dali / 1-10V / With Emergency Kit

Technical Drawing



Photometric Curve





SKU	Product Code	Power (W)	Luminous Flux (LM)	CRI	CCT (K)	Optics	Dimensions (mm)
	DIF 010 020 009S 8040 10 15 SD 65 00	9	819	>80	4000	15° Reflector	Ø97x200
	DIF 010 020 009S 8040 10 30 SD 65 00	9	819	>80	4000	30° Reflector	Ø97x200
	DIF 010 020 009S 8040 10 40 SD 65 00	9	819	>80	4000	40° Reflector	Ø97x200
	DIF 010 020 013S 8040 10 15 SD 65 00	13	1183	>80	4000	15° Reflector	Ø97x200
	DIF 010 020 013S 8040 10 30 SD 65 00	13	1183	>80	4000	30° Reflector	Ø97x200
	DIF 010 020 013S 8040 10 40 SD 65 00	13	1183	>80	4000	40° Reflector	Ø97x200
	DIF 010 020 018S 8040 10 15 SD 65 00	18	1638	>80	4000	15° Reflector	Ø97x200
	DIF 010 020 018S 8040 10 30 SD 65 00	18	1638	>80	4000	30° Reflector	Ø97x200
	DIF 010 020 018S 8040 10 40 SD 65 00	18	1638	>80	4000	40° Reflector	Ø97x200