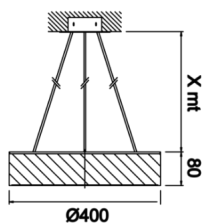


## Pendant Pendant Luminary

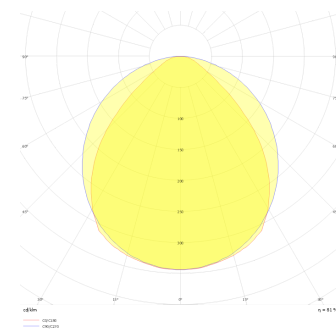


<b>Luminaire Group</b>	Pendant
<b>Mounting Type</b>	Pendant
<b>Luminary Color</b>	RAL 9005 - RAL 9006 - RAL 9010
<b>Housing</b>	Aluminum Extrusion
<b>Optics</b>	Opal Diffuser
<b>Light Source</b>	LED
<b>Electrical Protection Class</b>	CLASS II
<b>IP</b>	40
<b>IK</b>	02
<b>Operating Temperature</b>	-20°C / +40°C
<b>Luminous Flux</b>	13095 lm / 16320 lm / 22850 lm / 4370 lm / 6195 lm
<b>Consumption Power</b>	120 W / 150 W / 40 W / 51 W / 96 W
<b>Luminaire Efficiency</b>	124,5 lm/W
<b>Color Rendering (CRI)</b>	>80
<b>Light Color Temperature (CCT)</b>	2700K/3000K/4000K/6500K
<b>Color Tolerance</b>	< 3 SDCM
<b>Driver Type</b>	On/Off
<b>Driver Brand</b>	Tridonic
<b>LED Brand</b>	Samsung
<b>Input Voltage / Frequency</b>	220-240 V AC 50/60 Hz
<b>Power Factor</b>	>0.9
<b>Surge</b>	1kV
<b>THD (AKIM)</b>	>%20
<b>LED life</b>	>50.000 hours
<b>Option</b>	On-Off / Dali / 1-10V / With Emergency Kit

Technical Drawing



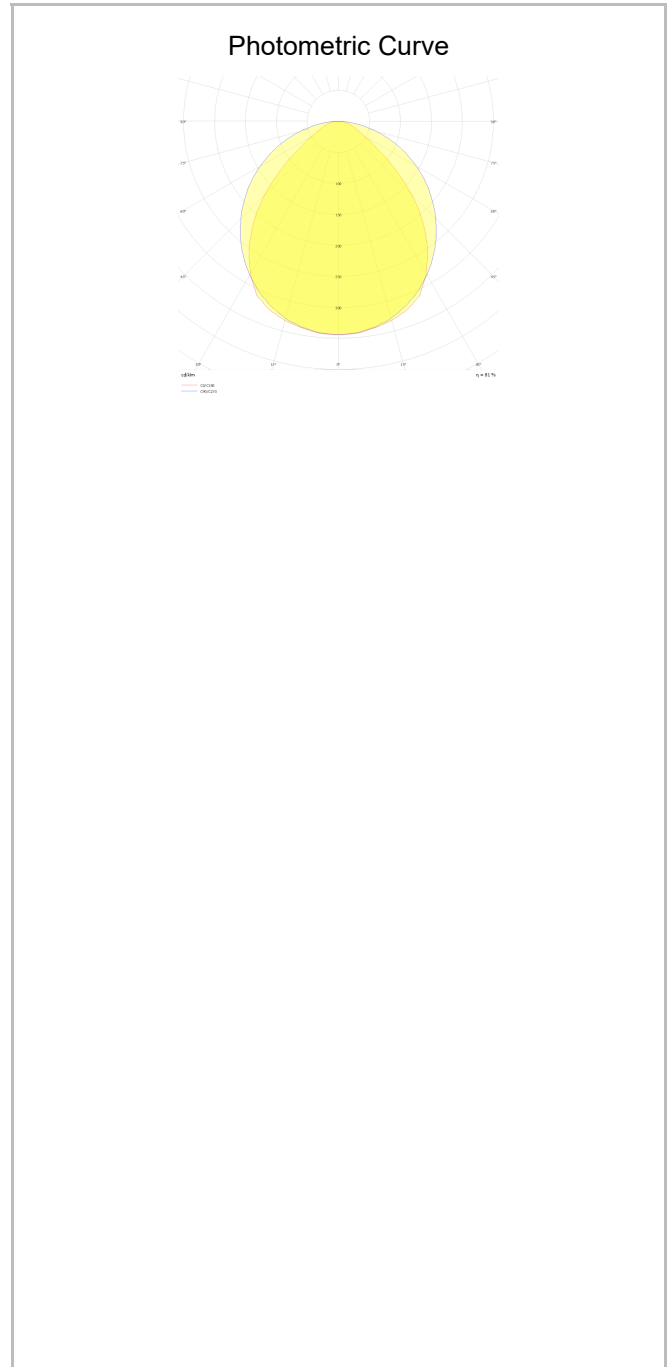
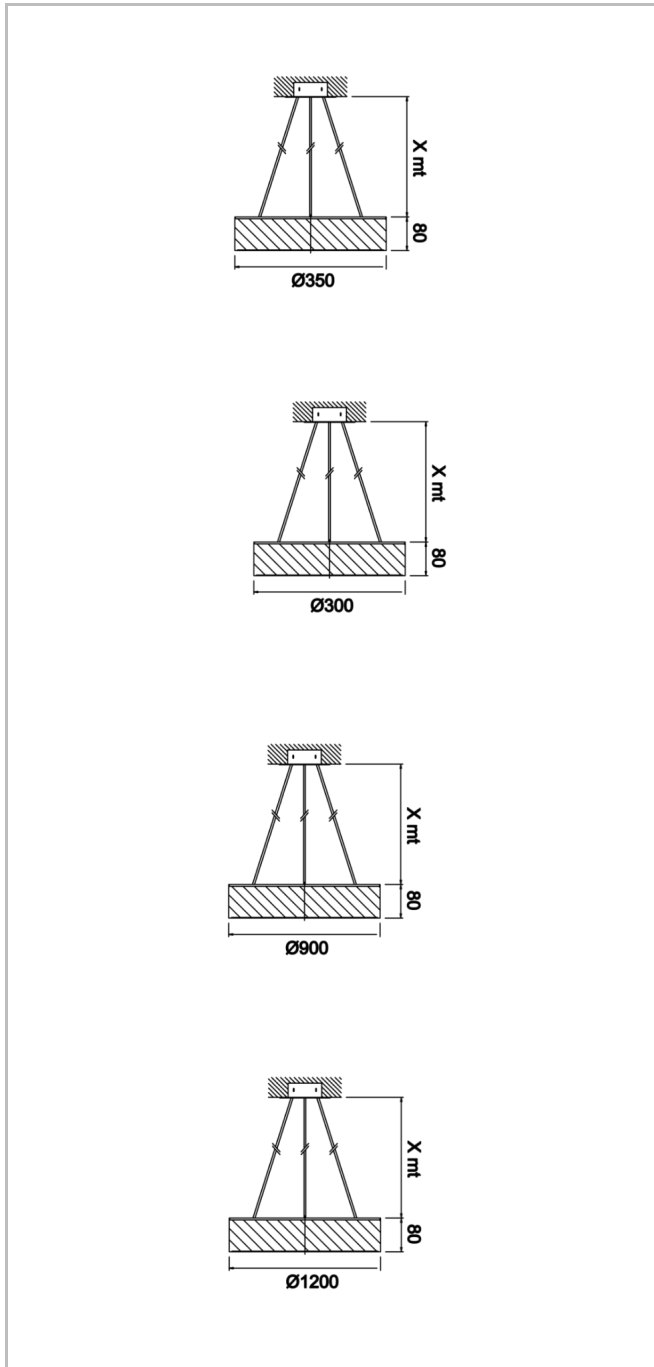
Photometric Curve



# Drums



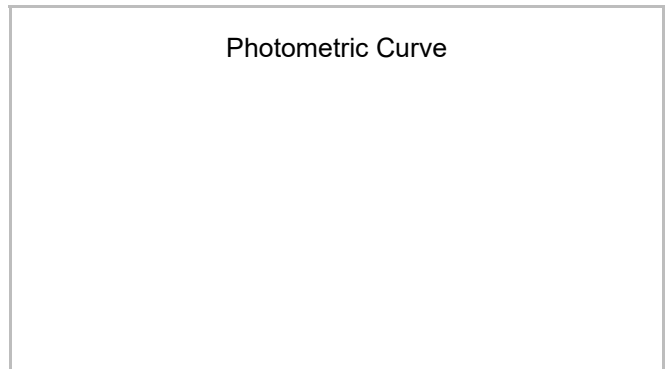
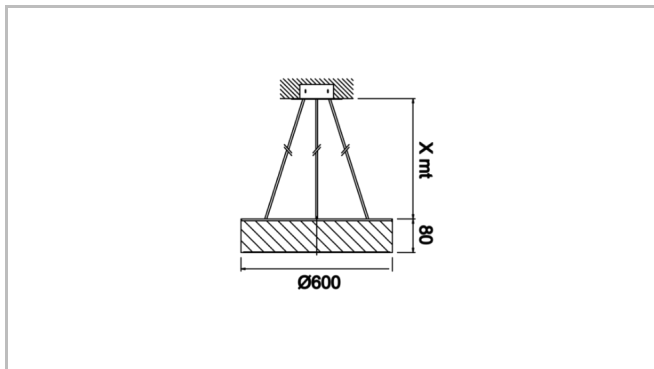
## Pendant Pendant Luminary



# Drums



## Pendant Pendant Luminary



SKU	Product Code	Power (W)	Luminous Flux (LM)	CRI	CCT (K)	Optics	Dimensions (mm)
	DIS 001 060 014P 8040 10 99 OP 20 00	40	4370	>80	4000	120° Opal Diffuser	Ø50
	DRM 060 008 048P 8040 10 99 OP 40 00	51	6195	>80	4000	120° Opal Diffuser	Ø60
	DRM 090 008 109P 8040 10 99 OP 40 00	96	13095	>80	4000	120° Opal Diffuser	Ø90
	DRM 120 008 150P 8040 10 99 OP 40 00	120	16320	>80	4000	120° Opal Diffuser	Ø120
	DRM 150 008 180P 8040 10 99 OP 40 00	150	22850	>80	4000	120° Reflector	Ø150