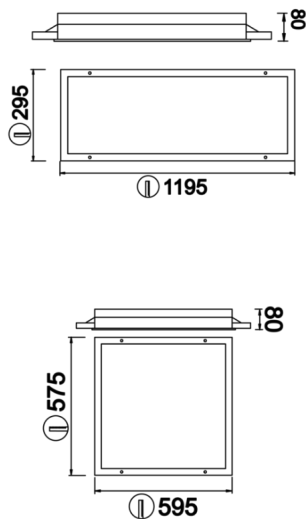


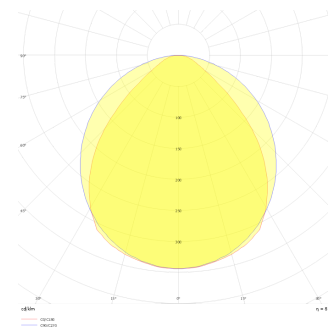


Luminaire Group	Recessed
Mounting Type	Recessed
Luminaire Color	RAL 9005 - RAL 9006 - RAL 9010
Housing	DKP Sheet
Optics	Opal Diffuser
Light Source	LED
Electrical Protection Class	CLASS II
IP	65
IK	02
Operating Temperature	-20°C / +40°C
Luminous Flux	2000 lm / 2400 lm / 4000 lm
Consumption Power	20 W / 24 W / 40 W / 70 W
Luminaire Efficiency	100 lm/W
Color Rendering (CRI)	>80
Light Color Temperature (CCT)	2700K/3000K/4000K/6500K
Color Tolerance	< 3 SDCM
Driver Type	On/Off
Driver Brand	Tridonic
LED Brand	Samsung
Input Voltage / Frequency	220-240 V AC 50/60 Hz
Power Factor	>0.9
Surge	1kV
THD (AKIM)	>%20
LED life	>70.000 hours
Option	On-Off / Dali / 1-10V / With Emergency Kit

Technical Drawing



Photometric Curve



Recessed Recessed Luminary

SKU	Product Code	Power (W)	Luminous Flux (LM)	CRI	CCT (K)	Optics	Dimensions (mm)
	SRS 027 027 020A 8040 10 99 OP 65 00	20	2000	>80	4000	120° Opal Diffuser	275x275x60
	SRS 060 060 024A 8040 10 90 OP 65 00	24	2400	>80	4000	120° Opal Diffuser	575x575x60
	SRS 060 060 040A 8040 10 99 OP 65 00	40	4000	>80	4000	120° Opal Diffuser	575x575x60
	SRS 120 030 070A 8040 10 99 OP 65 00	70	4000	>80	4000	120° Opal Diffuser	1195x295x60